

JUNO IQHC

UNIVERSAL CHILLED BEAM

KEY FEATURES

- Length: 2' - 10' (available in 1' increments)
- Adjustable induction (energy control)
- Adjustable air diffusion (flow pattern control)
- Easy installation (fastening brackets or cable hanging).
- Can be flush mounted in lay-in or gypsum board ceiling or exposed
- Coanda safety control
- Energy efficient, saving money on operating and life-cycle costs.
- Flexible, universal air and water connection
- Easy to clean and maintain.

The Juno IQHC active chilled beam is one of the most versatile beams on the market. Chilled beams can be used for heating, cooling, and ventilation and can be used in lieu of fan coil units. Called the "Universal Beam," due to its flexible air and water connections, the Juno IQHC beam offers multiple duct and water connection points which save general contractors substantial time and money, as the beams do not have to be installed in a prescribed sequence.

The Juno IQHC's diffusion allows for customized energy control with adjustable induction, flow pattern control, and twelve available nozzle configurations. The flow pattern can easily be changed by adjusting the angles of the blades in the diffusion system.

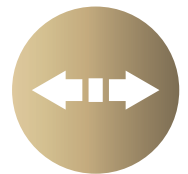
The bulk of Juno IQHC's heating and cooling is managed by water coils instead of air nozzles, resulting in favorable zone temperature and significant energy savings.



**ADJUSTABLE
NOZZLES**



**FLOW PATTERN
CONTROL**

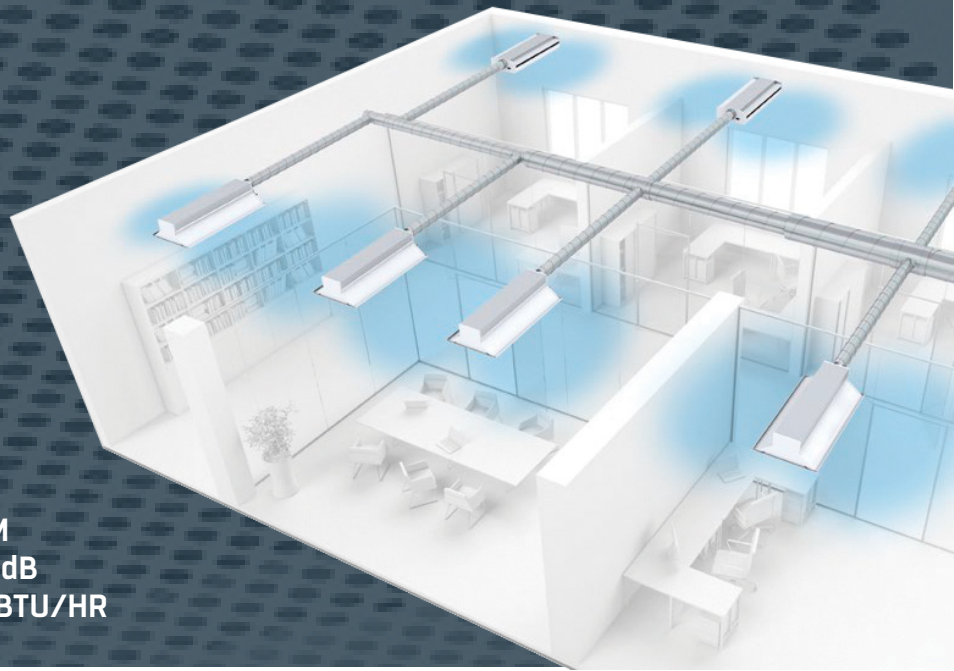


**FLEXIBLE
INSTALLATION**

(1) JUNO IQHC 4'
 AIRFLOW: 120 CFM
 NOISE LEVEL: <40 dB
 CAPACITY: 3,729 BTU/HR

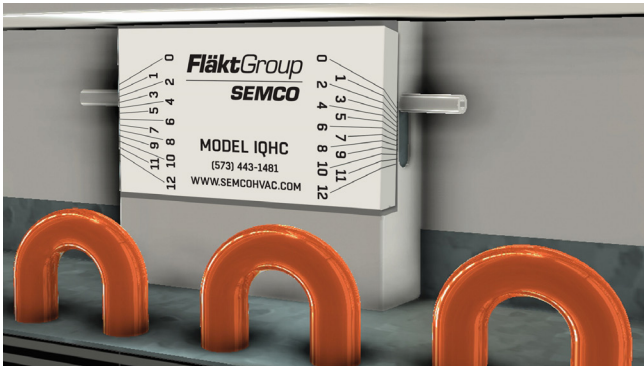
(2) JUNO IQHC 4'
 AIRFLOW: 120 CFM
 NOISE LEVEL: <46 dB
 CAPACITY: 7,457 BTU/HR

(3) JUNO IQHC 4'
 AIRFLOW: 120 CFM
 NOISE LEVEL: <49 dB
 CAPACITY: 11,186 BTU/HR

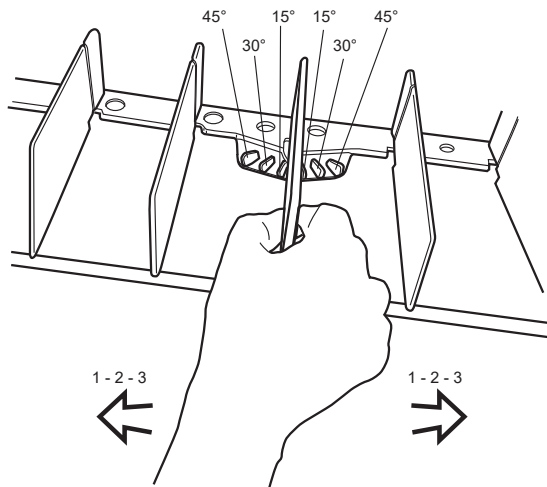


Juno IQHC is optimal for projects requiring high-customization and versatility. The variety of options allows you to meet project demands without compromises. This made-in-America beam provides air dissemination with no pockets of concentrated air and is incredibly quiet.

A universal beam with high cooling capabilities.



Juno IQHC's energy control slider



Juno IQHC pattern control configuration.



For more information on the Juno IQHC, to access the SELECT chilled beam selection tool, or find your local sales representative visit www.semcohvac.com.

EXCELLENCE IN SOLUTIONS

FläktGroup SEMCO
 1800 East Pointe Drive, Columbia, MO 65201
 573.443.1481
 sales@semco.com

